

- REFLEX® Robotic technology
- ACE® Active Cooling Emission
- Slim Cartridge Design
- Cartridge Extended Lifespan
- Face and body procedures



Non-surgical Face Lift and Body Sculpting

HIFU FINESS E
High Intensity Focused Ultrasound

HIFU FINESS E
High Intensity Focused Ultrasound

Technical Data

General features

Voltage supply	230VAC 50-60Hz
Consumption	200 W
Max power	100W
Energy	0,4-2,0J
Pulse duration	10-100ms adjust step 10
Pulse emission step	1-5 mm (1mm step)
Mode	Partial/whole scanning
Scanning lenght	10/30mm
Scanning speed	10mm/1sec. 40mm/2sec.
Cartridge 4 MHz	Focal depth 4,5mm
Cartridge 7 Mhz	Focal depth 1,5mm and 3,0mm
Cartridge 2 Mhz	Focal depth 6,0mm and 9,0mm
Cartridge life span	20,000 lines
Dimensions	700x500x1300mm
Weight	45kg

Face Cartridges



Body Cartridges



FINESS E is 100% MADE IN ITALY technology

Biotec Italia guarantees the genuineness of a truly Italian product and the superior quality of its products for the infinite attention paid to every single detail of the manufacturing process.

Biotec Italia Guarantee:

- FINESS E is made entirely in Italy.
- FINESS E is made using only Italian semi-finished products.
- FINESS E is made out of top quality materials.
- FINESS E is made adopting Italian technological expertise and know how.
- FINESS E is made using Biotec Italia's own technological designs.



Biotec Italia srl
Viale della Repubblica 20 - 36031 Dueville (Vicenza)
tel. 0444.591683 fax. 0444 361032
biotecitalia.com info@biotecitalia.com

f biotecitaliamed t biotecitalia

HIFU FINESS E
High Intensity Focused Ultrasound

BIO
TEC
BIOTECITALIA

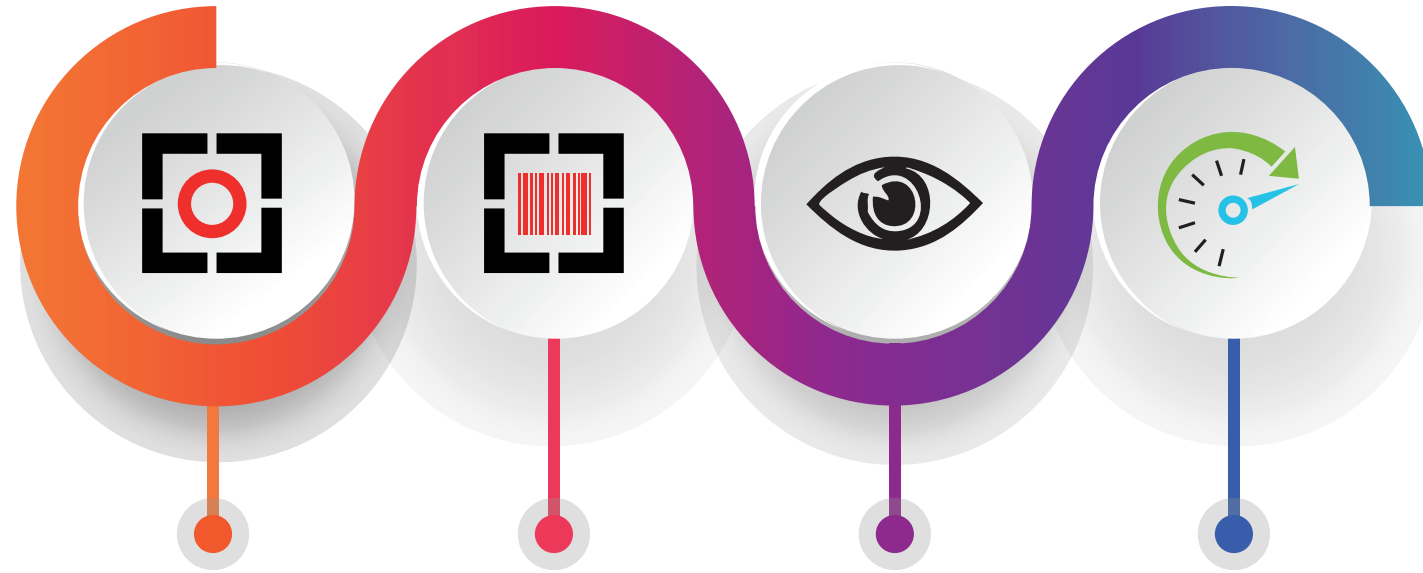


FINESSE® penetrates to depths previously reachable only with surgery.

ACE® results in high performance and safe treatment procedures.

Precise fractional HIFU energy to the epidermis, dermis, superficial adipose layer, SMAS and deep fat layer, initiating a gradual skin tightening and lifting effect continuing for several months.

REFLEX® Robot Technology

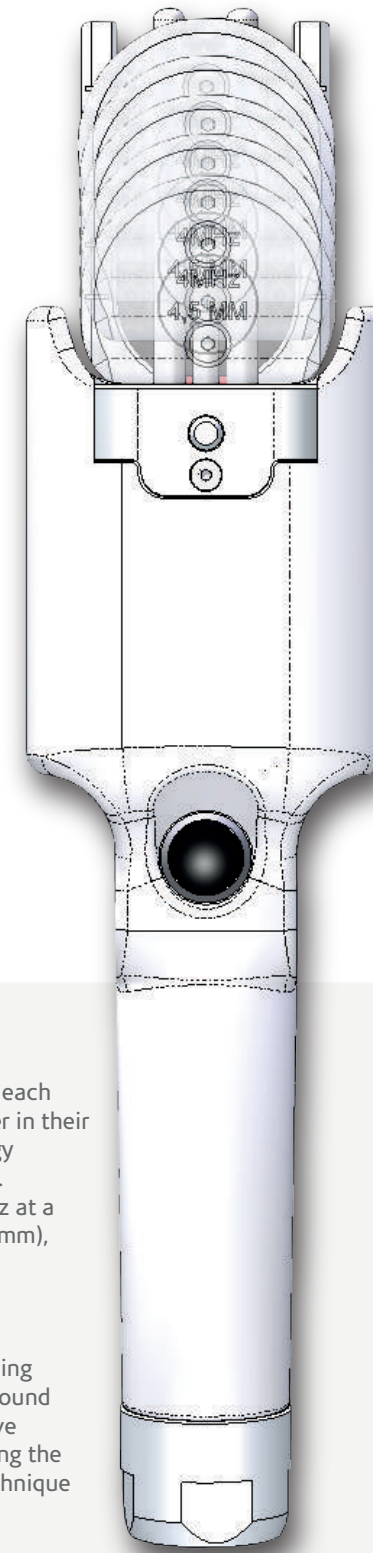


Exact thermal effect
Each cartridge delivers its energy precisely in the skin where is needed, according to targeted area with more than 65°C coagulation point.

Adjustable scanning
Robotic technology allows to select line length and pulse delay contributing to easy control of energy density and fluence to the tissue.

Exclusive design
Slim cartridge design offers wide field of view, enhances treatment precision and allows uniform and easy operation on all skin contours.

High speed pulse
Robotic technology allows to select line length up to 30mm and pulse delay between coagulation points for high speed procedure.



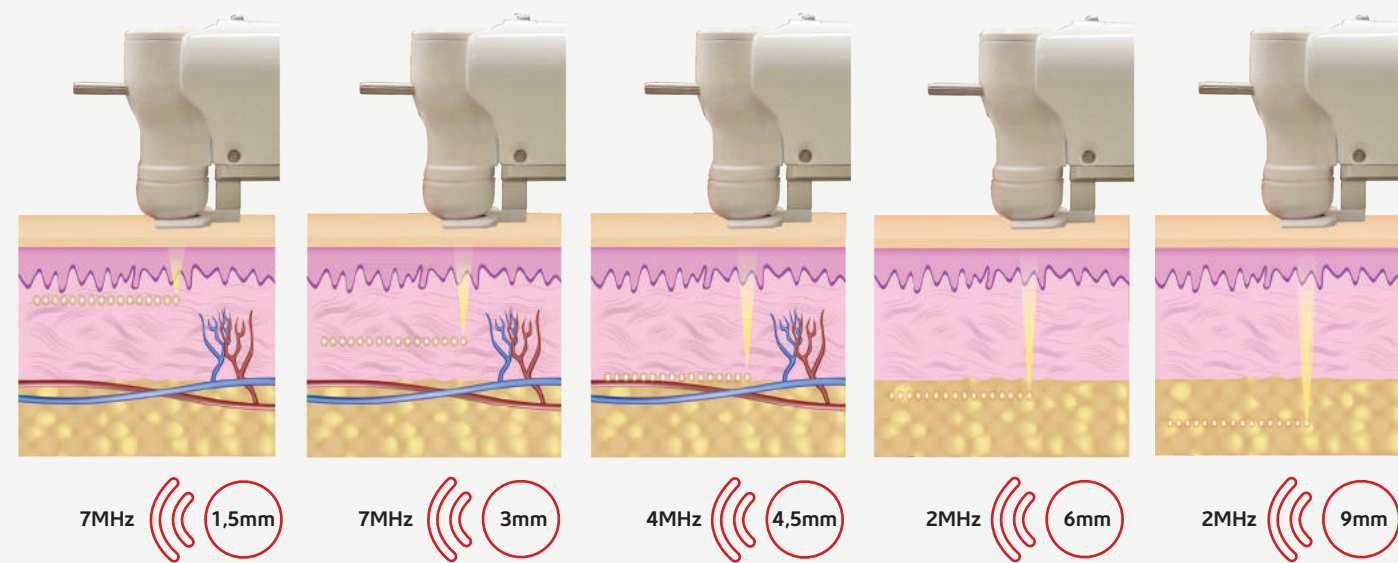
ACE® Active Cooling Emission



Water cooling
Active fluid circulation guarantees transducer stability. Fluid circulates in the transducer tip and returns in the reservoir in the machine, where the heat is extracted.

Extended lifespan
ACE Technology guarantees transducer thermal stability, enhancing vibration efficiency, reducing heat shock failure and increasing cartridge lifespan up to 20.000 lines.

Enhanced safety
ACE Technology improves the margin of safety associated with HIFU procedures by cooling the transducer's window in contact with skin. Less the pain and lessens the chance of side effects.



Face Sculpting
Treatment with FINESSE can be customized to meet the unique physical characteristics of each patient by adjusting energy and focal depth of the emitted ultrasound. These options differ in their geometric focus and wavelength configurations, whereby the depth and quantity of energy delivered during treatment can be varied for a desired effect within the target tissue layer. Face transducers emit at a frequencies of 4.0 MHz with a focal depth of 4.5 mm and 7 MHz at a focal depth of 1.5 and 3.0 mm. They can be used in combination to target the dermis (1.5 mm), deep dermis (3.0 mm), or the subdermal tissues (4.5 mm) including the SMAS layer.

Body Sculpting
HIFU provides a nonsurgical alternative to remove unwanted fat in non-obese patients, using 2 cartridges of 2MHz to target different depths from 6mm to 9mm. The high-energy ultrasound delivers macro energy into subcutaneous fat to selectively remove fat cells. This innovative transducers achieves localized destruction of fat at precise tissue depths, without damaging the skin or surrounding tissues allowing optimal body contouring. The new body sculpting technique is safe, causing minimal pain or side effects.

Treatment indications

- Facial skin laxity
- Facial wrinkles
- Blurred jaw line
- Double chin
- Hyperhydrosis
- Body contouring



FINESSE® is a minimally invasive approach delivering precise and focused ablative energy.

HIFU is transmitted through the epidermis and focused at desired locations within the skin.